

SDS127M SERIES ~ Shielded SMD Power Inductors

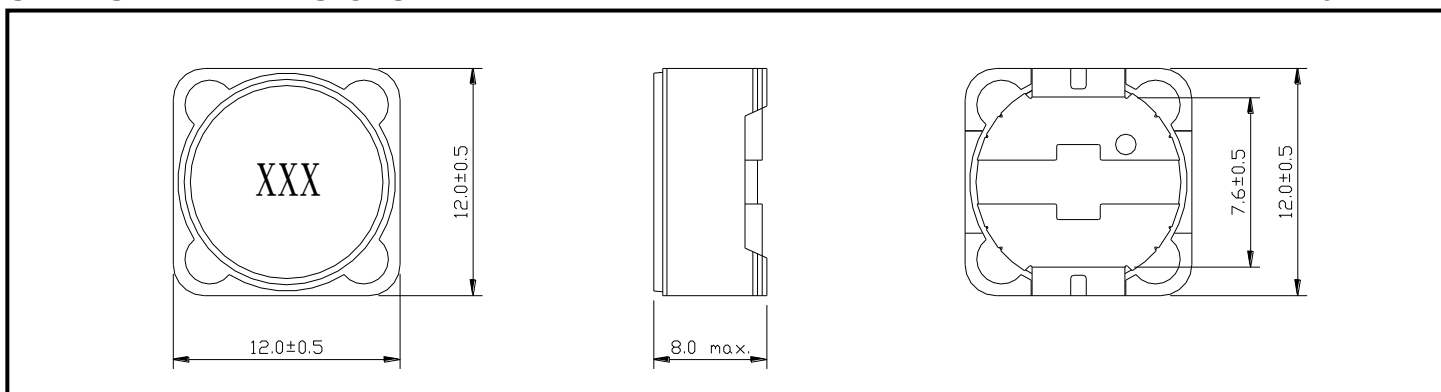


PART NUMBERING SYSTEM

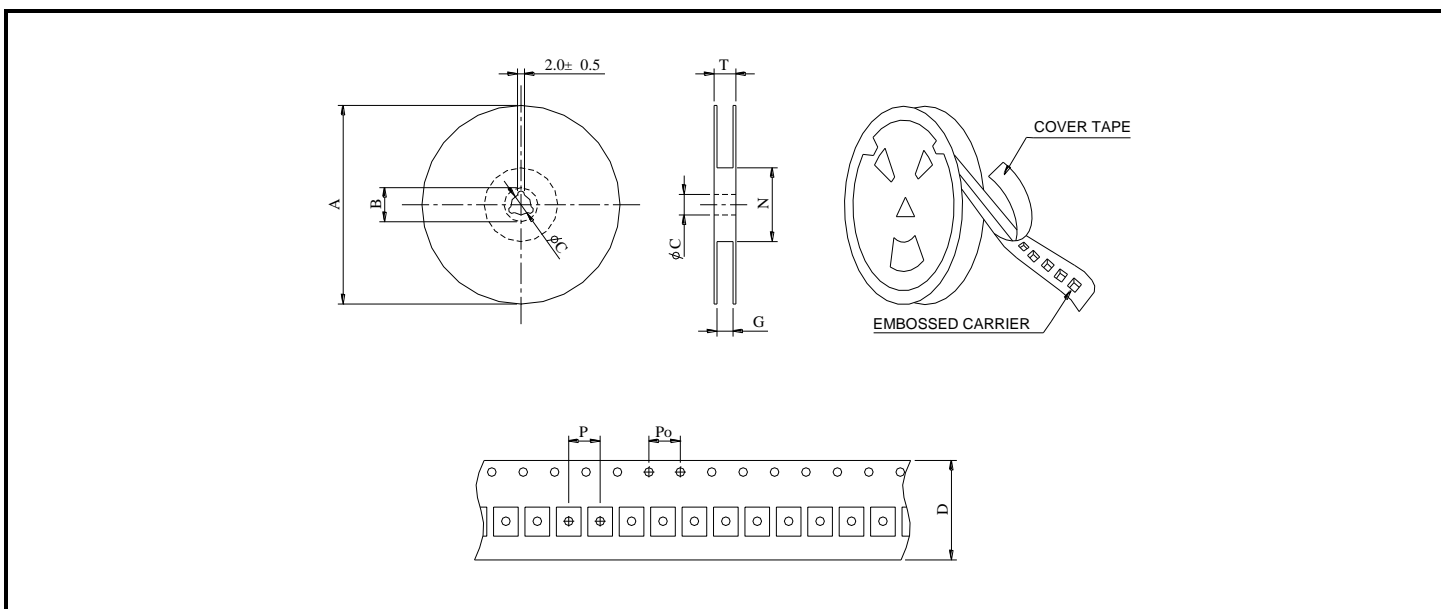
SDS	127M	—	100M	—	LF
TYPE	DIMENSIONS		INDUCTANCE		LEAD FREE

SHAPES AND DIMENSIONS

UNIT : mm



PACKAGING SPECIFICATION



SERIES	STAYLE	Q'TY (PCS)	DIMENSIONS (m/m)								
			A	B ± 0.8	C ± 0.5	D	G ⁺⁰	N ⁰	P	P ₀	T
SDS127M	13-24	400	330	21	13	24	26	50	20	4	30.4



SDS127M SERIES ~ Shielded SMD Power Inductors



FEATURES

- Magnetically shielded
- Saturation current rating **over 56 Amps** and **very low DCR**
- Inductance ratings from **0.47 to 47 μ H**
- **RoHS-compliant.** 260°C compatible. Matte tin over nickel over phos bronze terminations

SPECIFICATION TABLE

PART NUMBER	INDUCTANCE (μ H)	DCR (m Ω) (Max.)	Isat (A) (Max.)	Irms (A) (Max.)	TEST FREQ. (f)
SDS127M-R47N-LF	0.47 \pm 30%	2.44	56.0	17.9	100KHz
SDS127M-1R0N-LF	1.0 \pm 30%	3.00	40.0	15.5	100KHz
SDS127M-1R5N-LF	1.5 \pm 30%	3.50	15.0	12.8	100KHz
SDS127M-2R2N-LF	2.2 \pm 30%	5.00	12.6	11.9	100KHz
SDS127M-3R3M-LF	3.2 \pm 20%	6.70	10.6	10.9	100KHz
SDS127M-4R7M-LF	4.7 \pm 20%	9.60	8.7	8.5	100KHz
SDS127M-6R8M-LF	6.8 \pm 20%	11.0	7.9	8.0	100KHz
SDS127M-8R2M-LF	8.2 \pm 20%	12.1	6.4	7.7	100KHz
SDS127M-100M-LF	10 \pm 20%	12.7	5.8	7.4	1KHz
SDS127M-120M-LF	12 \pm 20%	14.0	5.3	6.8	1KHz
SDS127M-150M-LF	15 \pm 20%	15.8	4.6	6.4	1KHz
SDS127M-180M-LF	18 \pm 20%	24.0	4.4	5.1	1KHz
SDS127M-220M-LF	22 \pm 20%	28.3	3.9	4.5	1KHz
SDS127M-270M-LF	27 \pm 20%	32.7	3.5	4.3	1KHz
SDS127M-330M-LF	33 \pm 20%	44.0	3.1	3.7	1KHz
SDS127M-390M-LF	39 \pm 20%	49.0	2.9	3.4	1KHz
SDS127M-470M-LF	47 \pm 20%	55.6	2.8	3.1	1KHz

- Isat: DC current at which the inductance drops 10% (typ) from its value without current.
- Irms: Current that causes a 40°C rise from 20°C ambient.
- Operating temperature range -40°C to +125°C, Electrical specifications at 25°C .
- **PLATING / SOLDER : TIN-SILVER-COPPER (95.5%/4.0%/0.5%)**